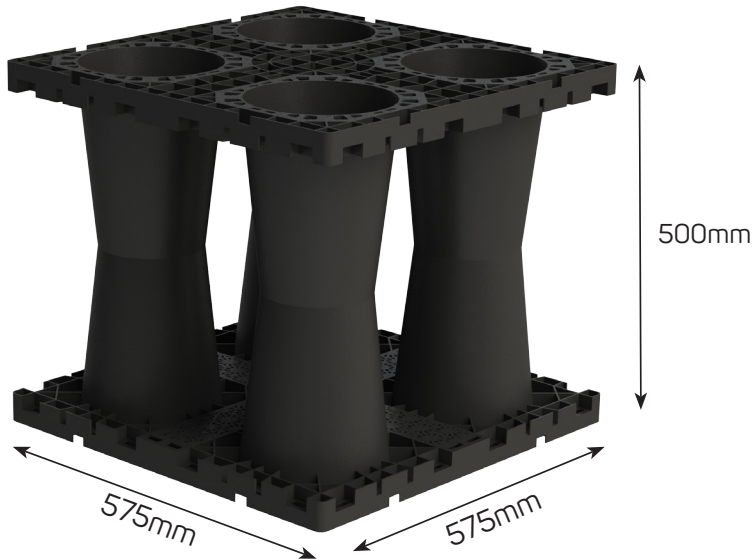


# SAVE UP TO 70% INSTALLATION TIME

## ATLANTIS FLO-VAULT® MODULAR UNDERGROUND TANK SYSTEM

### TECHNICAL DATA SHEET

### FLO-VAULT® MODULE RECYCLED POLYPROPYLENE BLEND



FLO-VAULT® MODULE (P/N 70081)

SIDE PLATE (P/N 70072)

Part Number	FLO-VAULT 70081   SIDE PLATE 70072   CLIP SINGLE 70073   CLIP DOUBLE 70074
Part Size	(H) 500mm (W) 575mm (L) 575mm   (H) 22.63" (W) 22.64" (L) 22.64"
Ultimate Strength	38 tonnes/SQM (54.9psi) *Ultimate strength till failure (not yield)
Gross Volume	0.165 m <sup>3</sup> (5.838 ft <sup>3</sup> )
Storage Capacity	157.05 litres (41.49 US Gallons)
Modules per Volume	6.06 modules per m <sup>3</sup> (0.17 modules per cubic ft)
Pieces Per Square Metre	3
Void Ratio	95%
Material	85% Recycled Polypropylene 15% Propriety Selected Materials
Colour	Black
Chemical & Biological Resistance	Unaffected by molds, algae, soil-bourne chemicals, bacteria and bitumen.
Service Temperature	-10° C - 70° C ( 14 F° - 158 F°)
Approximate Material Lifespan	100 years + with no ultra violet exposure

Visit [geofabrics.co](https://www.geofabrics.co) or call 1300 60 60 20 (AU)  
or [geofabrics.co.nz](https://www.geofabrics.co.nz) or call 0800 60 60 20 (NZ)

**GEOFABRICS®**  
Sustainable solutions